


PRODUCT SHEET

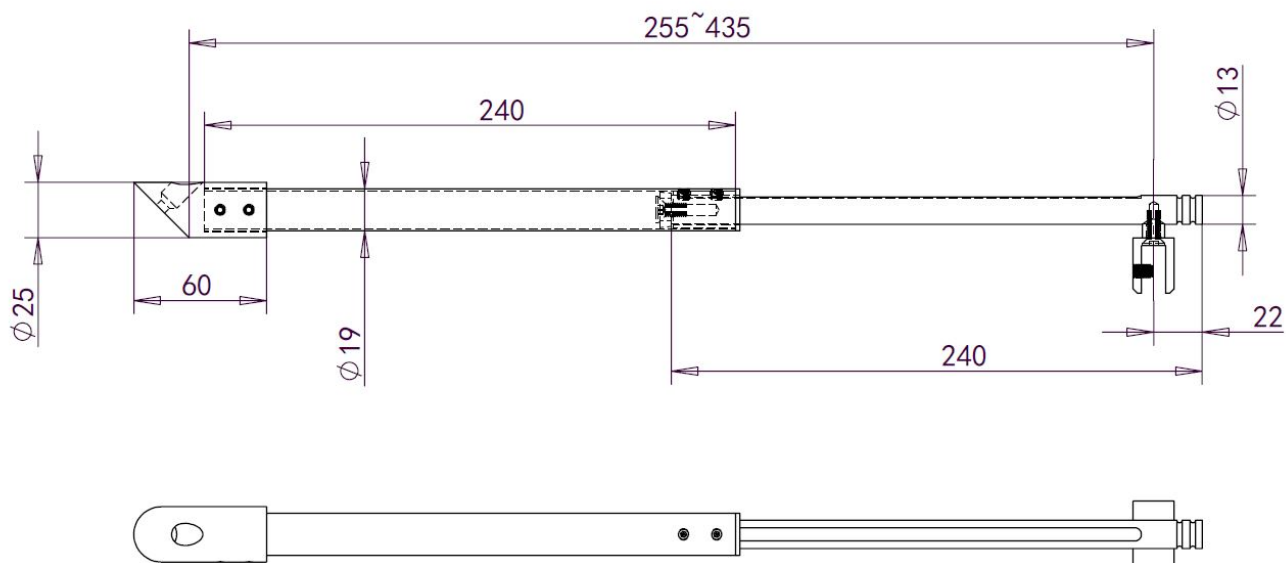
Description:

Shower Support Bar, Glass/Wall, 45DG Angle,CPL,Adj 240-400mm , Brass CPL Brackets, Tube SS304 CPL

Item number:

15.24.025-2

Units	Box	Carton	HS Code	Barcode
Set	1	20	8302419000	
				5704866505598



SISO A/S

Mileparken 11
DK-2740 Skovlunde
Denmark
VAT: DK 24786013

Phone +45 45 830 900

www.siso.dk
siso@siso.dk

Danske Bank
Nytorv Branch
Copenhagen
SWIFT: DABADKKK

Account no.
4180 3112 112936
IBAN Account
DK7230003112112936